

SKF Agri Hub – a guide to replacing

How to identify and replace the SKF Agri Hub on your independent tiller discs



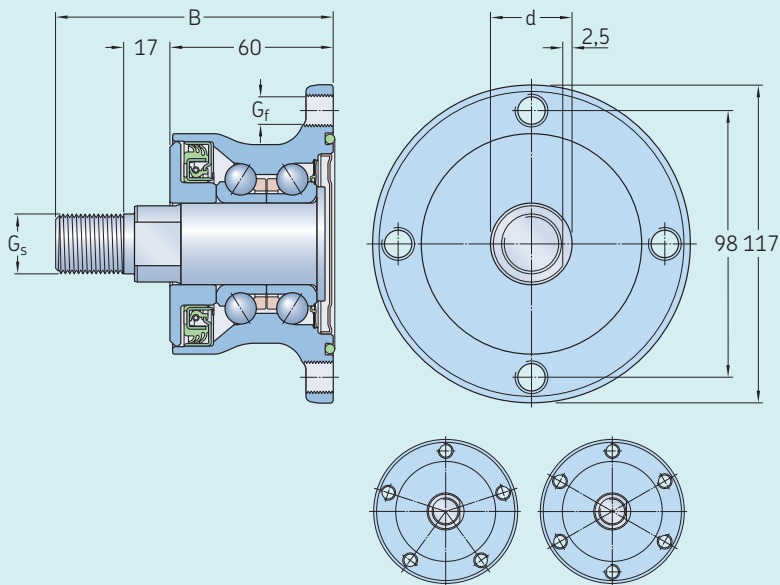
The SKF Agri Hub is a fully integrated hub bearing system, greased and sealed for life. The hub units are easy and quick to mount and remove on virtually any implement arm.

Here's what to do if you need to change the SKF Agri Hub on your independent tillage disc equipment.

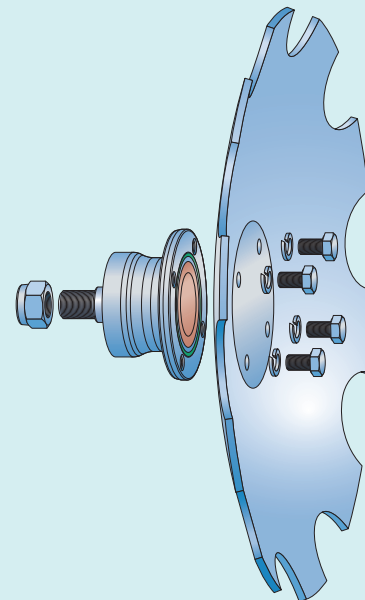
When removing the old SKF bearing, clean off any mud or dust and identify the SKF designation as indicated in the image to the right. The table on the next page shows the measurements and other specifications for a quick cross reference. This will help to ensure the correct replacement for the SKF Agri Hub is ordered from your SKF distributor.



SKF Agri hub



Simple to assemble



Designation	Width (overall) B	Shaft		Flange – mounting threads/holes		
		d	Included Thread G_s	No.	Threads G_f	Pitch diameter J
–	mm	mm	–	–	–	–
BAA-0003	59	–	No	–	4	M12x1,25 98
BAA-0003 A	59	–	No	–	4	M12x1,25 98
BAA-0004	102	28	Yes	M22x1,5 (male)	4	M12x1,25 98
BAA-0005	105	30	Yes	M24x2 (male)	4	M12x1,25 98
BAA-0006	102	28	Yes	M22x1,5 (male)	6	M12x1,25 98
BAA-0009	106	30	Yes	M24x2 (male)	4	M12x1,25 98
BAA-0012	102	28	Yes	M22x1,5 (male)	5	M12x1,25 98
BAA-0013	106	30	Yes	M24x2 (male)	6	M12x1,25 98
BAA-0023	102	28	Yes	M22x1,5 (male)	4	M12x1,25 98

Plating is free from hexavalent chrome

Note: the rubber black cap of the unit has been updated with a corrosion resistant stainless steel cap.



For more information contact your SKF distributor:



skf.com/agrisolutions

© SKF is a registered trademark of the SKF Group.

© SKF Group 2017

The contents of this publication are the copyright of the publisher and may not be reproduced (even extracts) unless prior written permission is granted. Every care has been taken to ensure the accuracy of the information contained in this publication but no liability can be accepted for any loss or damage whether direct, indirect or consequential arising out of the use of the information contained herein.

PUB 45/S7 16884/1 EN · April 2017

Certain image(s) used under license from Shutterstock.com.

